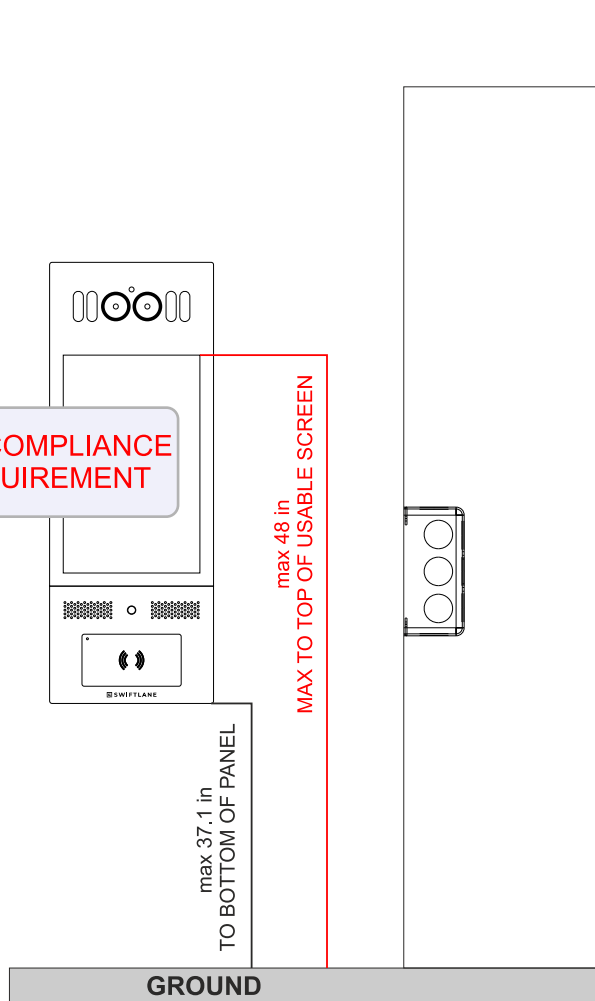
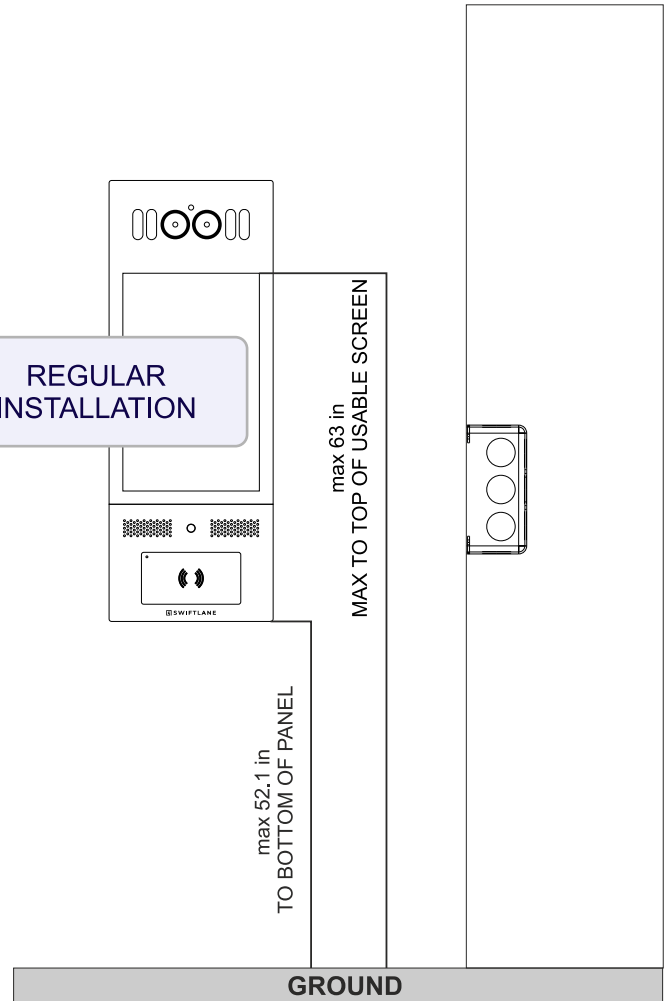


Swiftreader X thick surface back cover - Installation height

ADA COMPLIANCE
REQUIREMENT



REGULAR
INSTALLATION



See all installation manuals:

<https://www.swiftlane.com/swiftlane-installation-manual/>

Scan QR code to visit all installation manuals

Support
support@swiftlane.com
505-65-SWIFT / 505-657-9438

Sales
contact@swiftlane.com
833-60-SWIFT / 833-607-9438

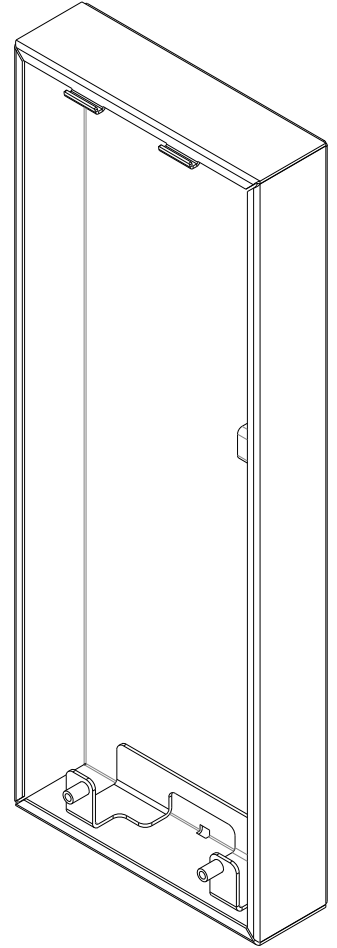
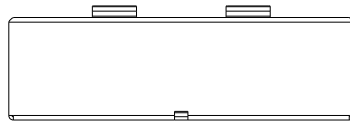
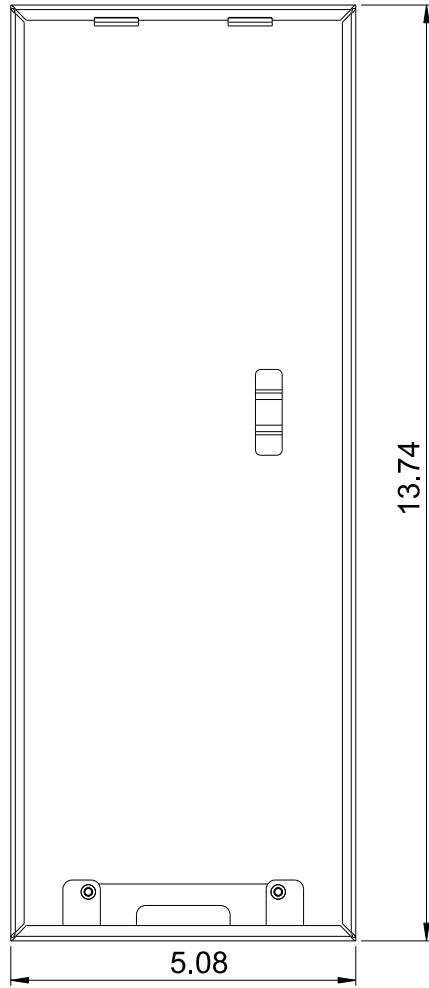
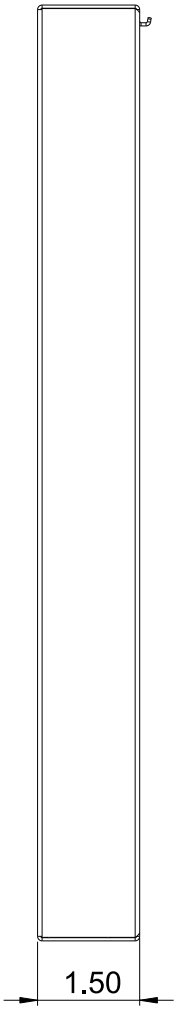


SWIFTLANE

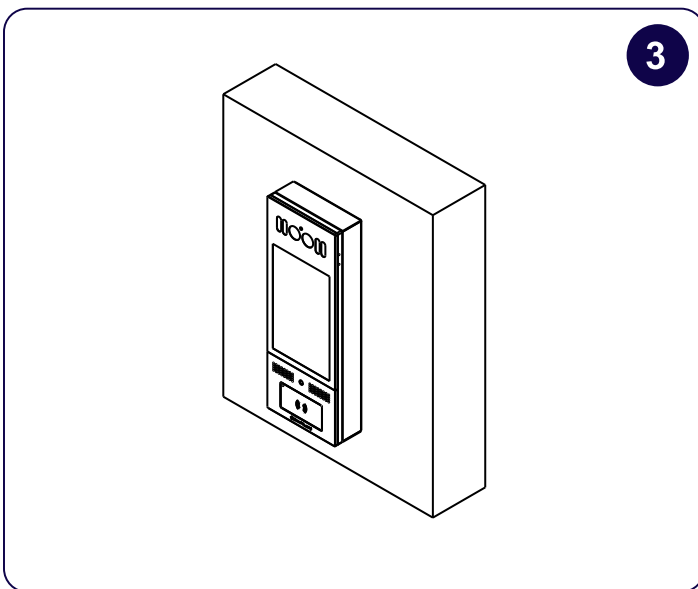
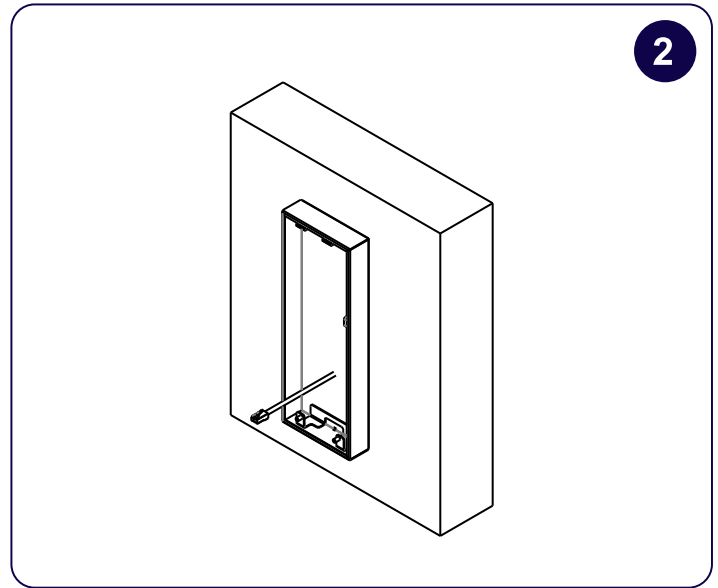
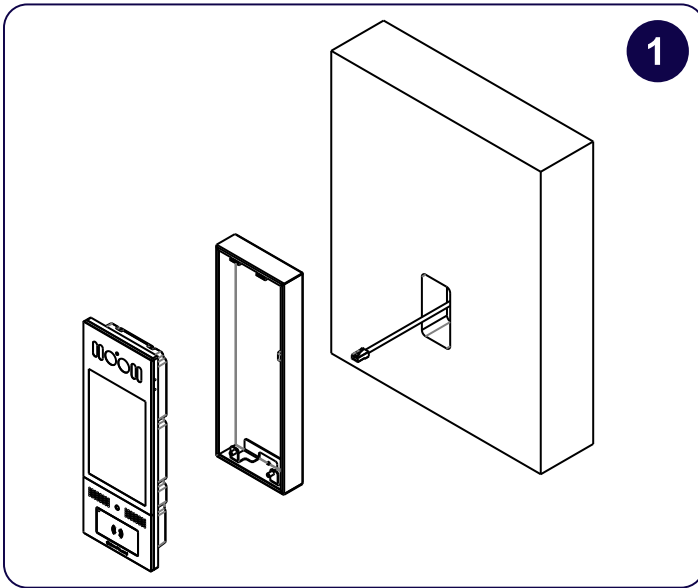
Swiftlane Inc.
743 Clementina St., San Francisco, CA

Website: <https://www.swiftlane.com>

Thick surface back cover dimensions (inches)



Installation Steps



1. Exploded view of the components
2. Fix the thick surface back cover to the mounting surface (wall, metal, etc) with anchors, screws etc. Back cover does not have any holes for screws or cable(s) - holes and cut out must be made in the required locations per installation
3. Finish the installation as described in the Swiftreader X installation manual:
<https://www.swiftlane.com/swiftlane-installation-manual/>

