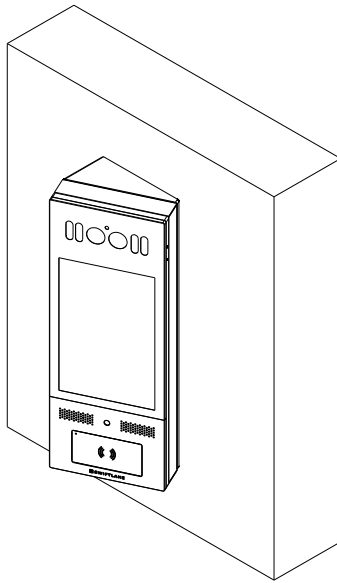
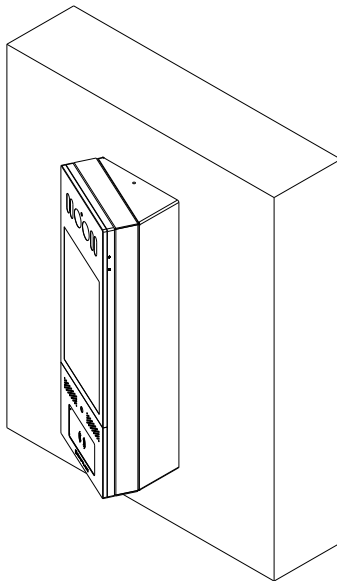


Overview



SURFACE MOUNT - RIGHT SIDE

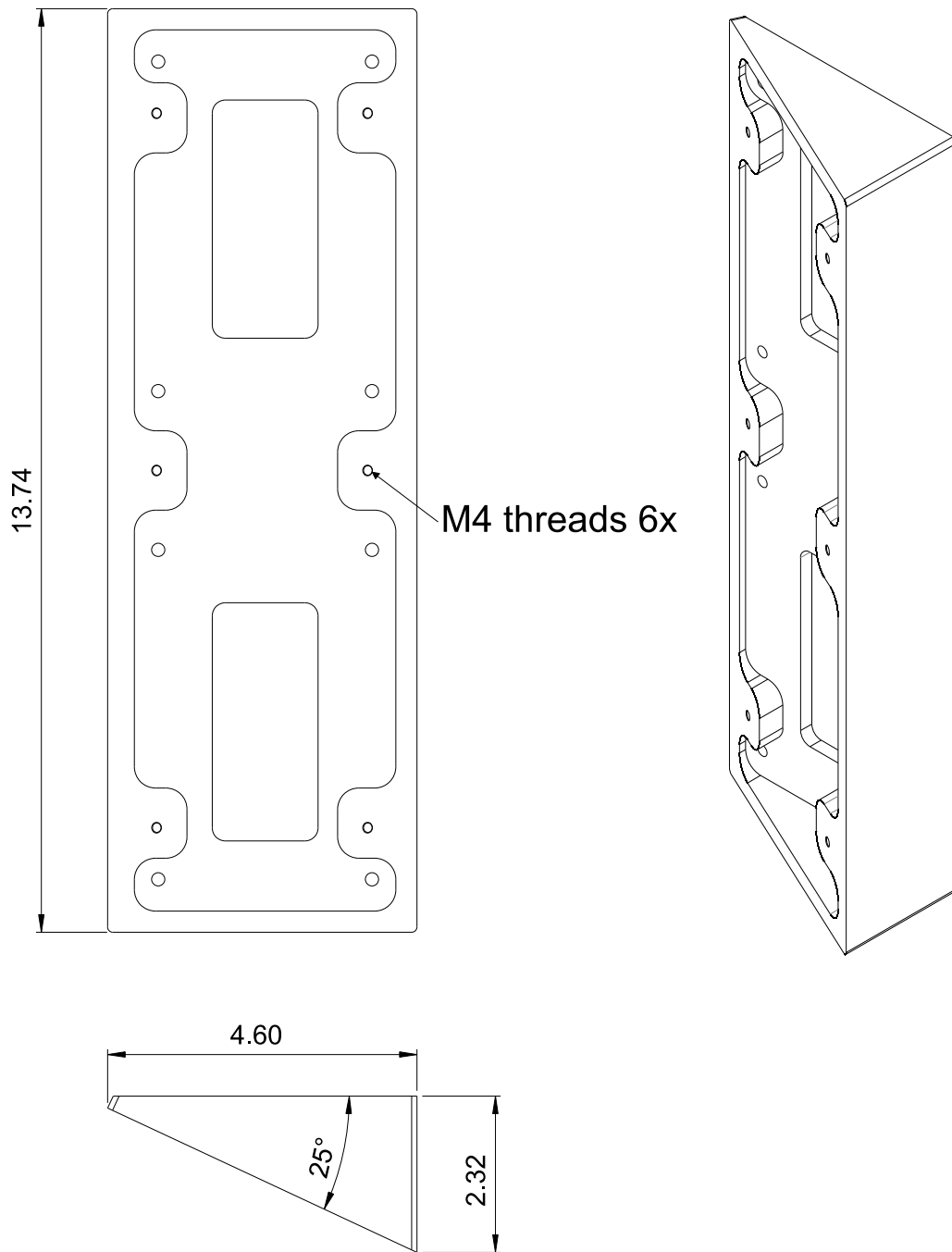


SURFACE MOUNT - LEFT SIDE

NOTES

- Used in situations where.....
- Add-on with 180 deg rotation, can be used for Left/Right viewing

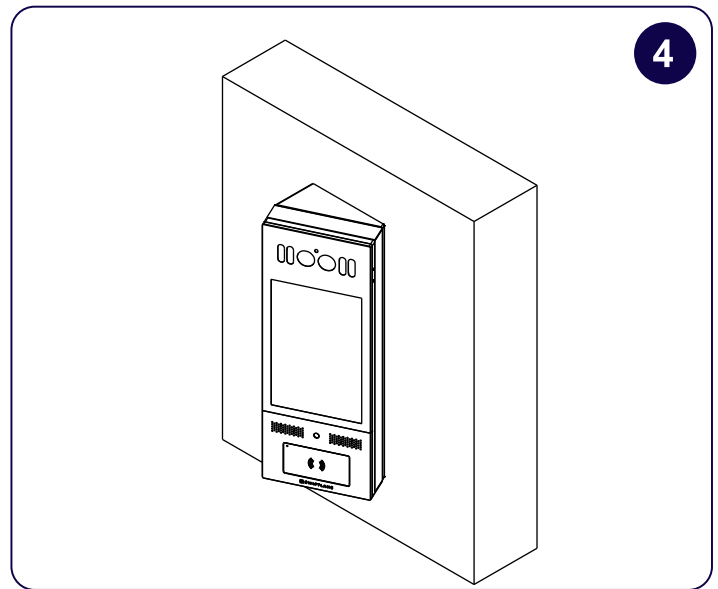
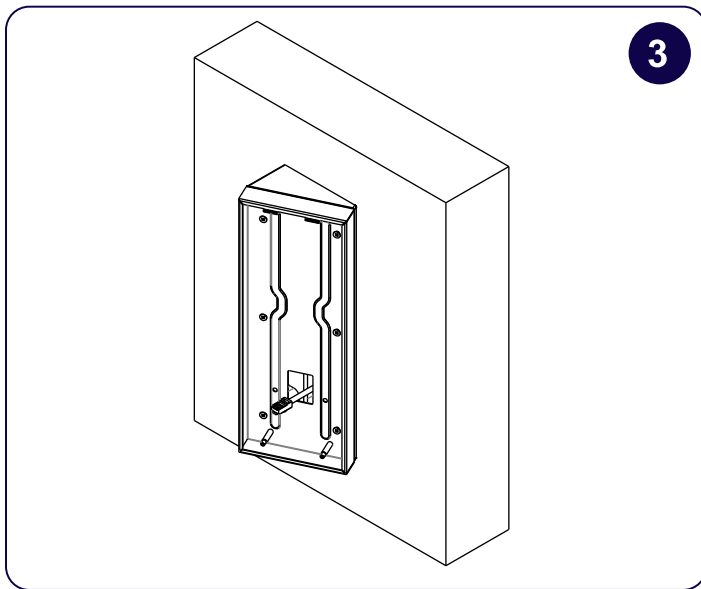
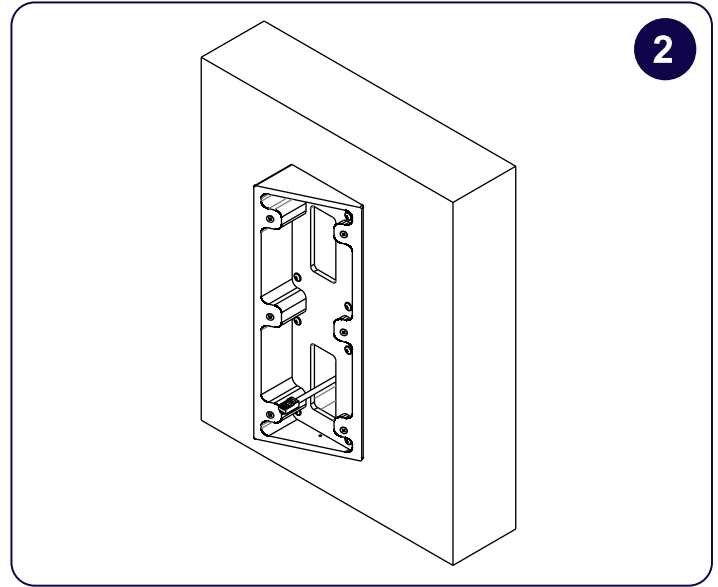
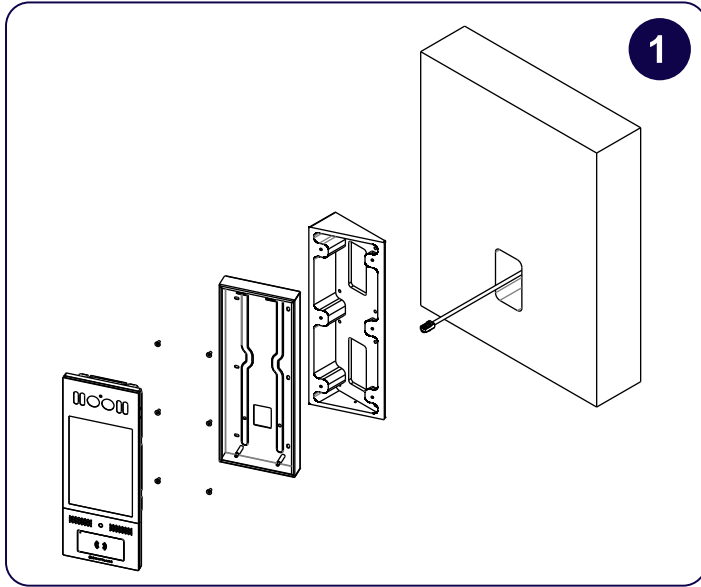
Dimensions (inches)



NOTES

- Material: Aluminum 6061 - powder coated black
-

Installation Steps



1. Exploded view of the components
2. Fix the side angle add-on to the mounting surface (wall, metal, etc) with anchors, screws etc. The holes of the side angle add-on for the fixation, are 0.2in (8 positions)
3. Fix the Swiftreader X surface mount back cover to the side angle add-on with 6pcs flat head screws M4x8 or M4x10 (included)
4. Finish the installation as described in the Swiftreader X installation manual: <https://.....>