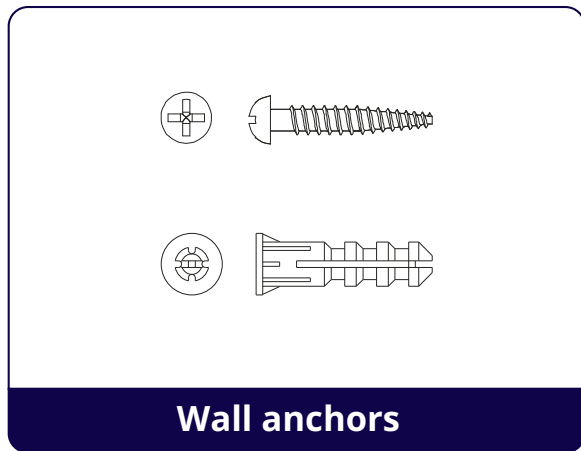
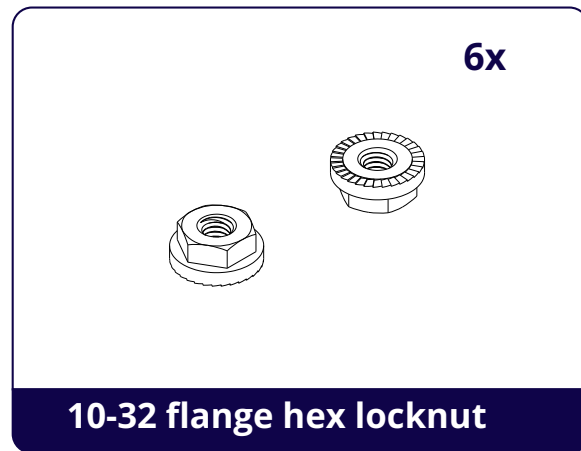
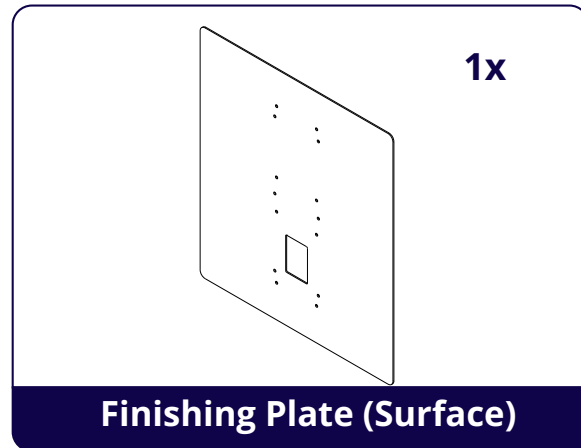
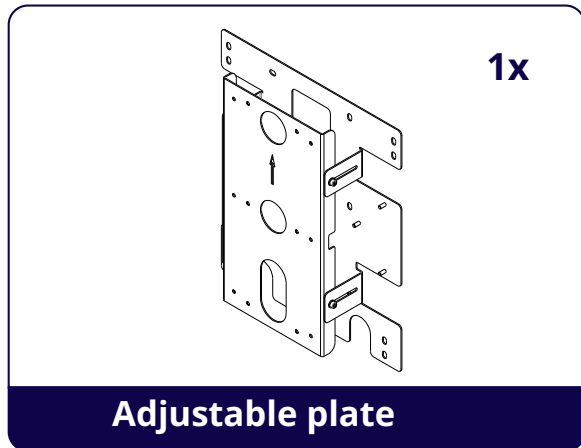
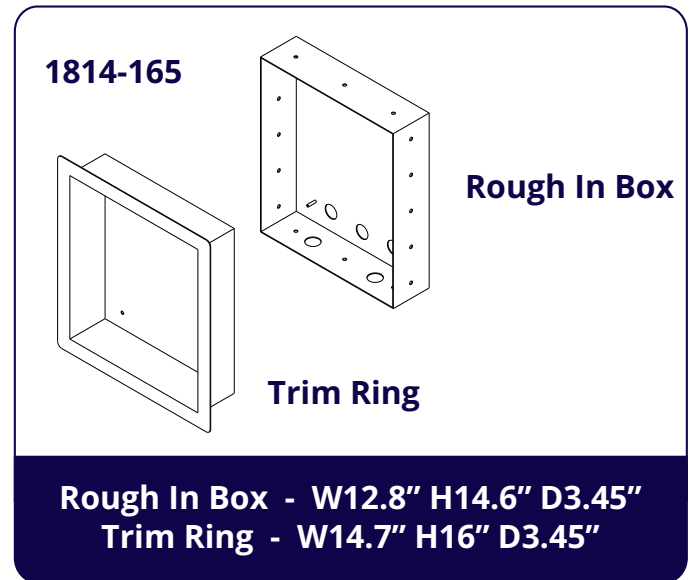
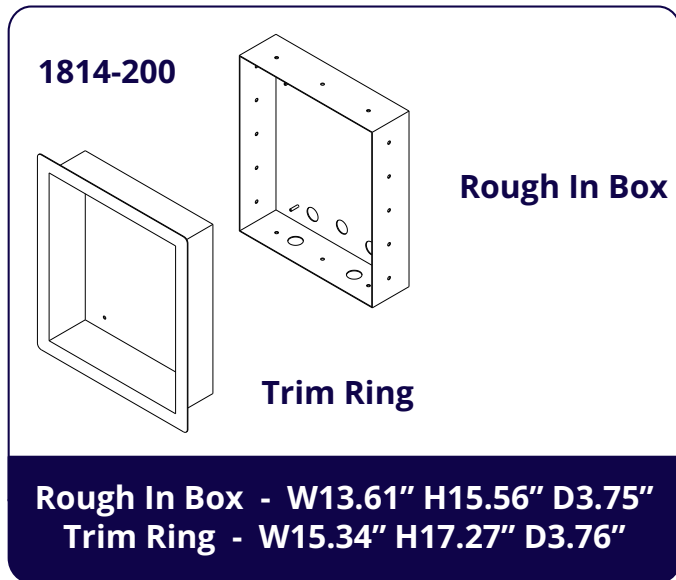


Unpacking



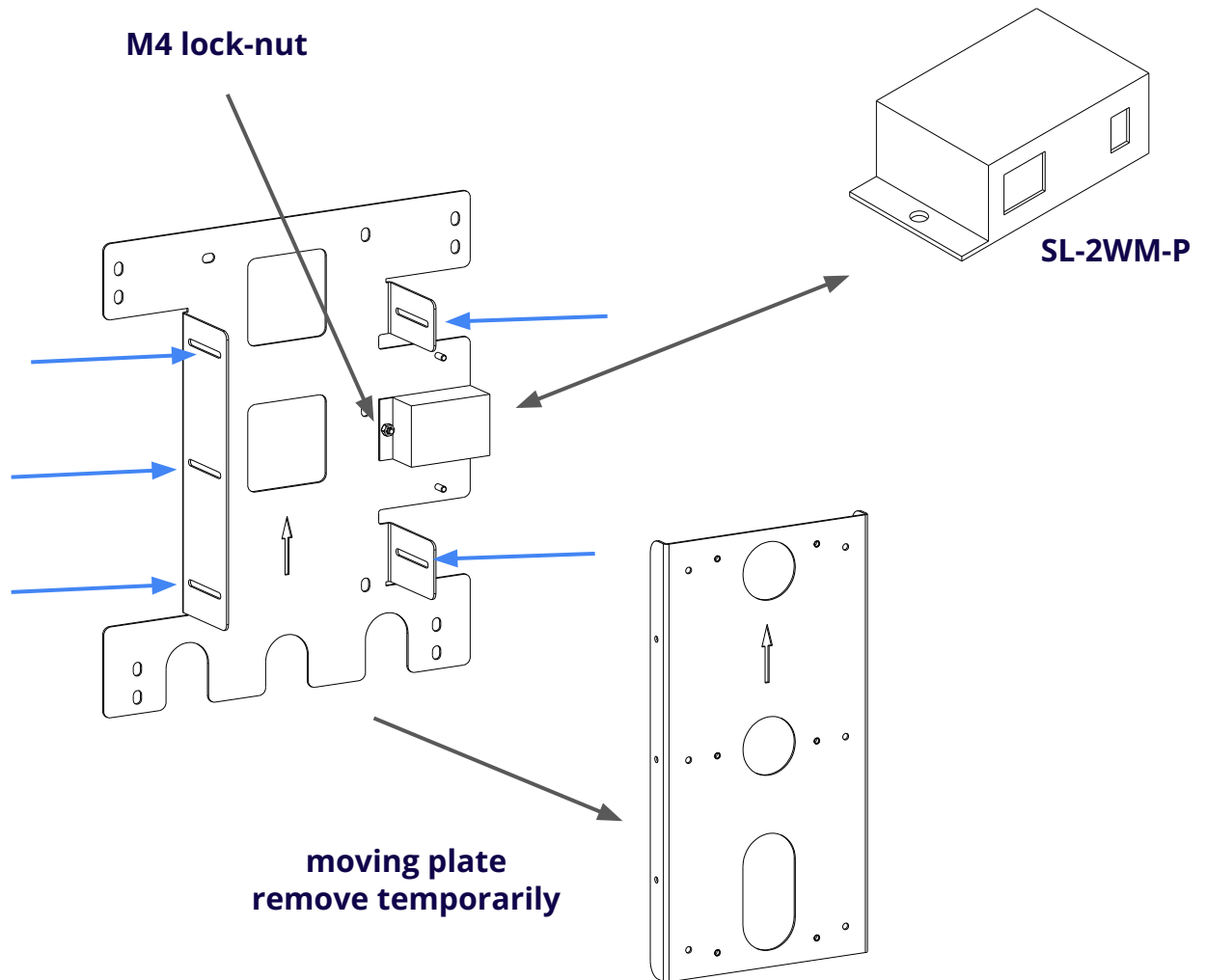
- 4x 10-32 lock-nuts could be used with a 1814-200 or 1814-165 Rough in Box (if exists and kept in place during installation)
- Adjustable plate comes with M4 allen screws and washers

Doorking kits (already installed)



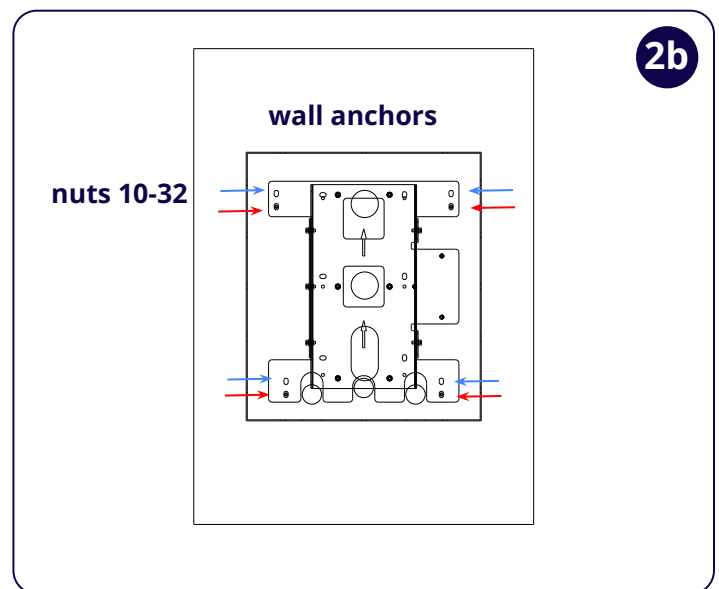
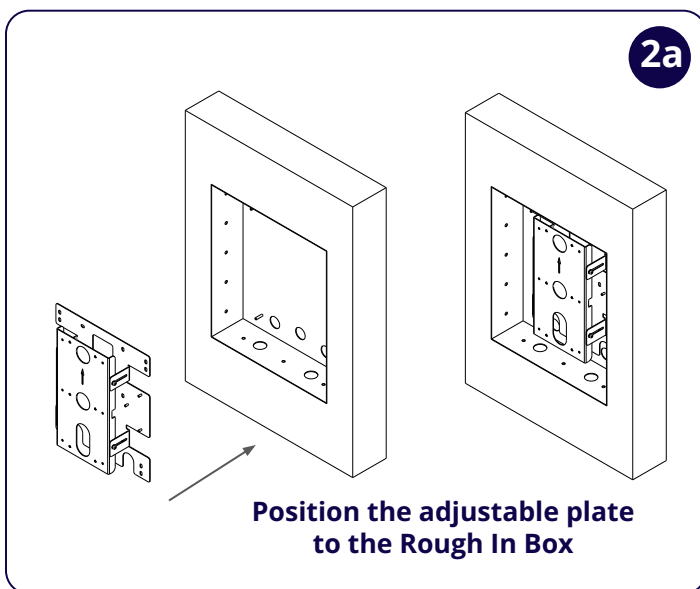
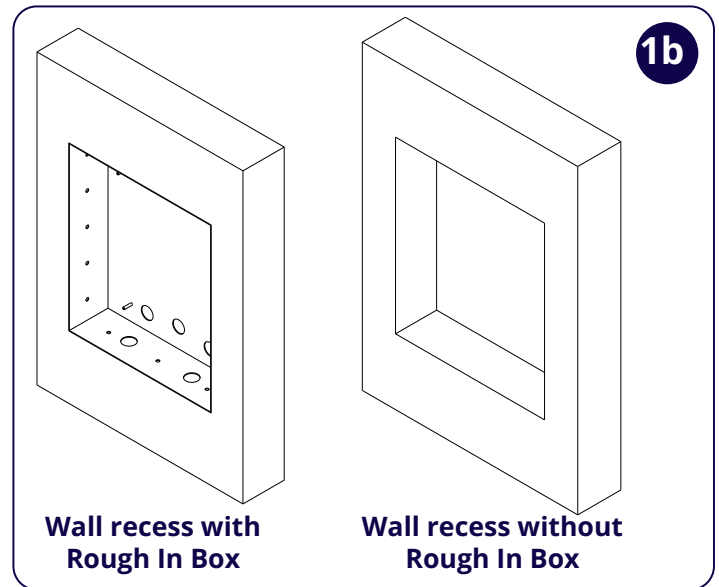
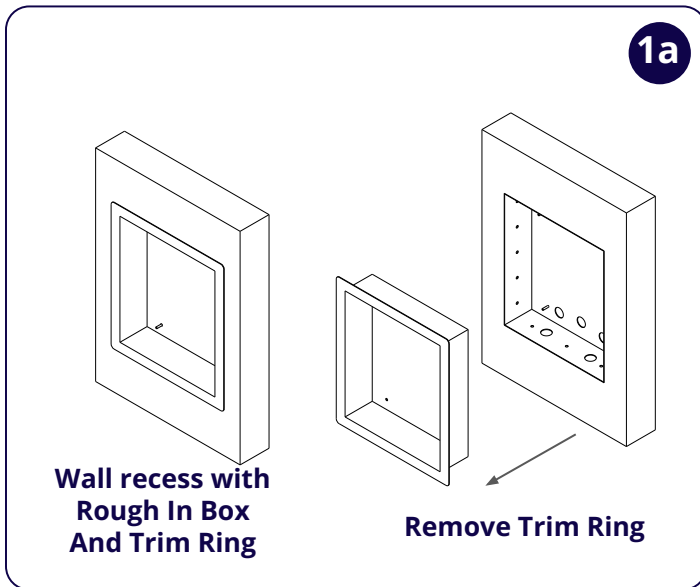
- 1814-200 Doorking Flush mount kit (90 series 1834, 1835, 1837). The Trim ring must be removed in order to proceed to the installation. The Rough In Box can be kept in place
- 1814-165 Doorking Flush mount kit (80 series 1833, 1834, 1835, 1837). The Trim ring must be removed in order to proceed to the installation. The Rough In Box can be kept in place
- 1803-150 Doorking Surface Mount Recess Kit (80 series 1833, 1835, 1837). The kit must be removed in order to proceed to the installation.

Optional - 2 wire to PoE+ converter (SL-2WN-P)



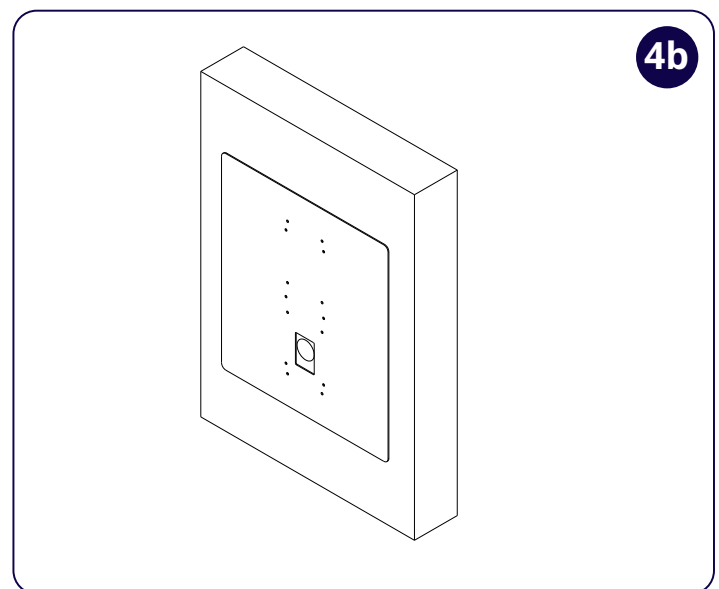
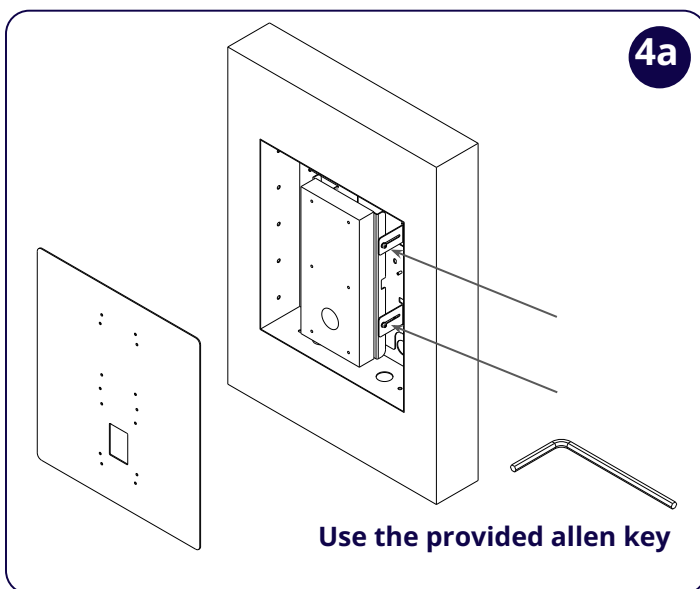
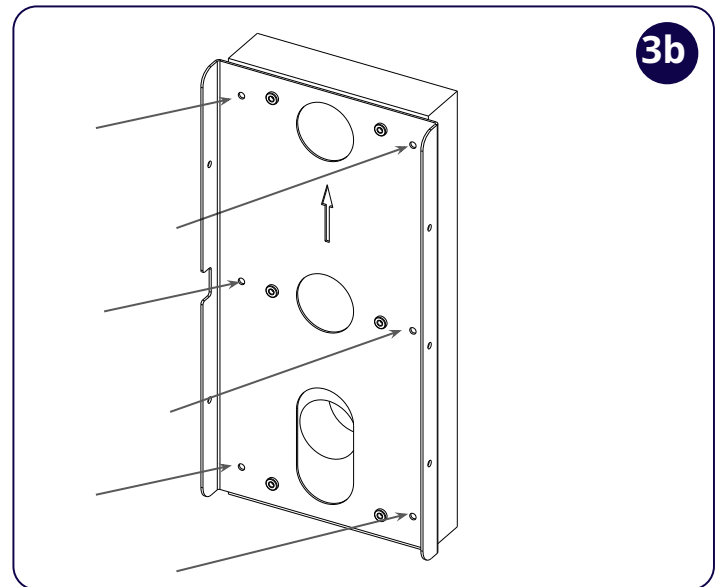
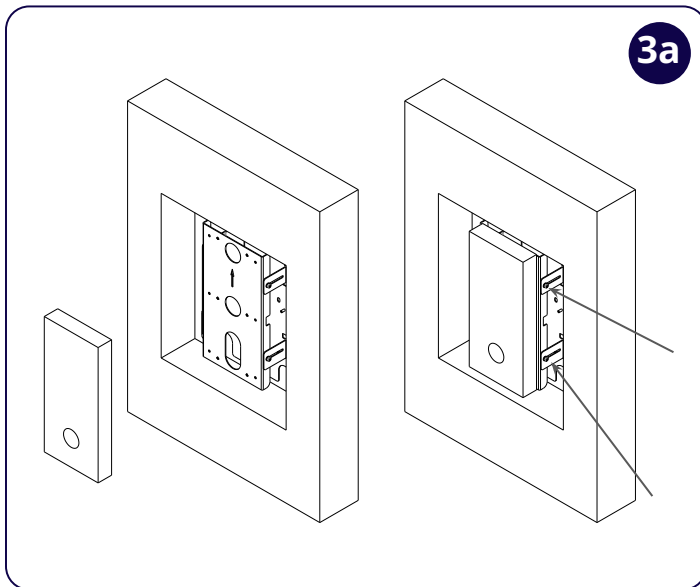
If a 2 wire to PoE+ adapter has to be used, this will be positioned to the place shown above. The moving plate would have to be temporarily removed by removing the 5 M4 allen side screws (3 on the left and 2 on the right - positions indicated with the blue arrows) Adapter is fixed in place with one M4 lock nut (provided) Connectors will be facing downwards

Swiftreader X surface installation with adjustable plate



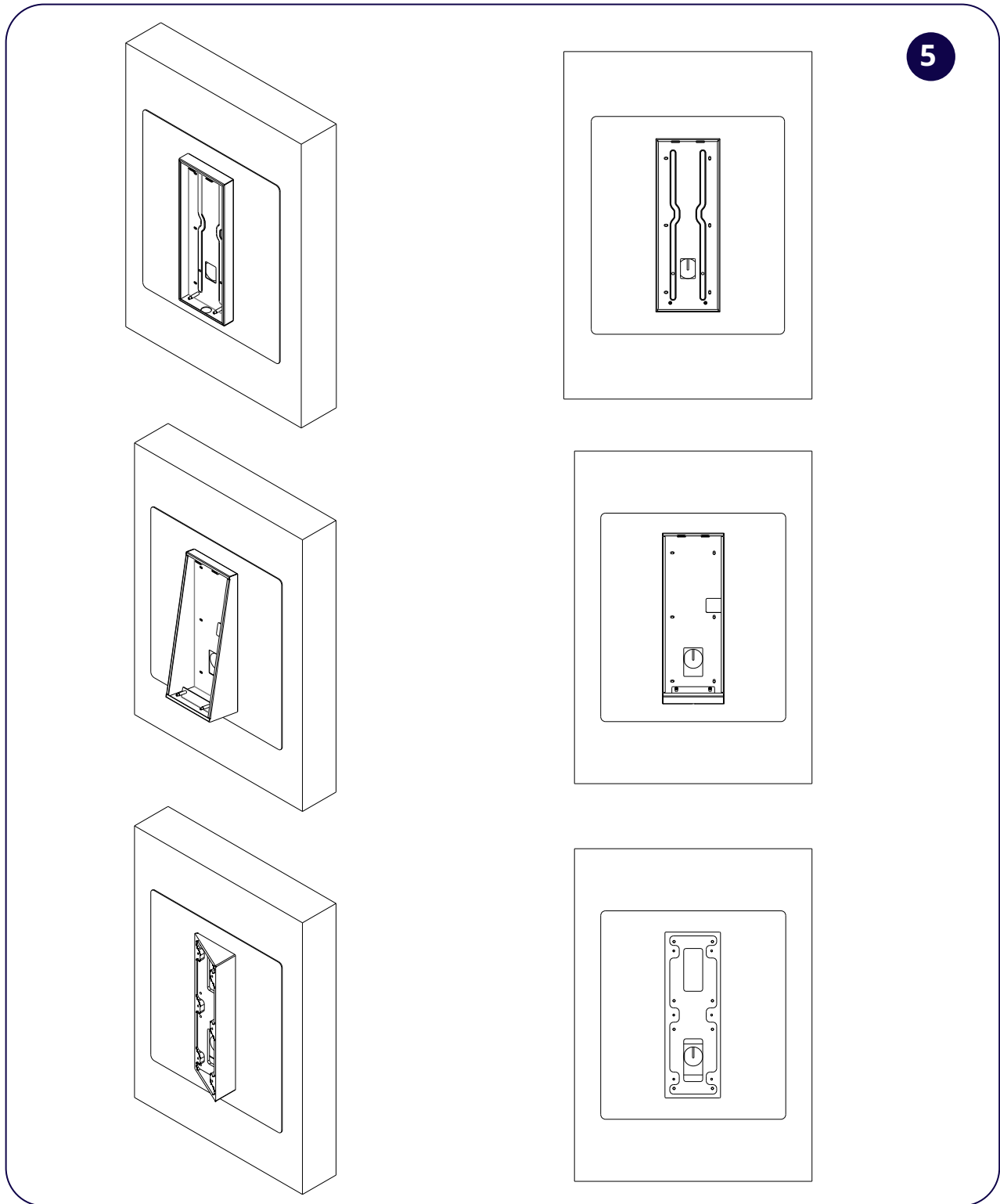
1. If retrofitting a 80 or 90 series Doorking intercom with 1814-165 or 1814-200 flush kit, the trim ring must be removed. The rough in box can be kept in place Installation is possible also with a plain recess that has min dimensions W12.8 H14.6 D3.5 inches
2. Fix the adjustable plate with nuts if a Doorking rough in box exists
Arrows on the sheet metal parts mark the "TOP" side
There are locations around the corners for mounting matching 1814-165 (indicated with the blue arrows) or 1814-200 (indicated with the red arrows).
There are 6 more mounting locations (for wall anchors) beneath the moving plate - the moving plate would have to be temporarily removed by removing the 5 M4 allen side screws (3 on the left and 2 on the right)

Swiftreader X surface installation with adjustable plate



3. Fix a wooden block (not included) with dimensions W5.5in x H13in x D1.2-1.5 inches to the moving part of the adjustable plate. The moving part must be removed temporarily by removing the 5 M4 allen screws (3 on the left and 2 on the right). 6 wood screws to be used in the locations shown to fix the wooden block. Position again the 5 M4 allen screws
4. Loosen the 5 M4 allen screws on the sides of the adjustable plate (3 on the left and 2 on the right) so that the moving plate can move with friction (not freely) and pull it outwards to the end position. Push the finishing plate until it touches the wall. Remove the finishing plate and tighten the 5 M4 allen screws.

Finish Installation



5. Fix the surface back cover with 6 flat wood screws (or 8 for the side angle version) and finish the installation as described in the Swiftreader X installation manual:
<https://www.swiftlane.com/swiftlane-installation-manual/>



Mounting locations (without Rough In Box) - dimensions in inches

If a Rough In Box does not exist (has been removed or there is a plain recess), mark positions on the wall to fix the adjustable plate and use wall anchors. When marking the positions make sure that the finishing plate when attached (next step) will cover the opening.

Drawing with exact mounting locations is shown below

