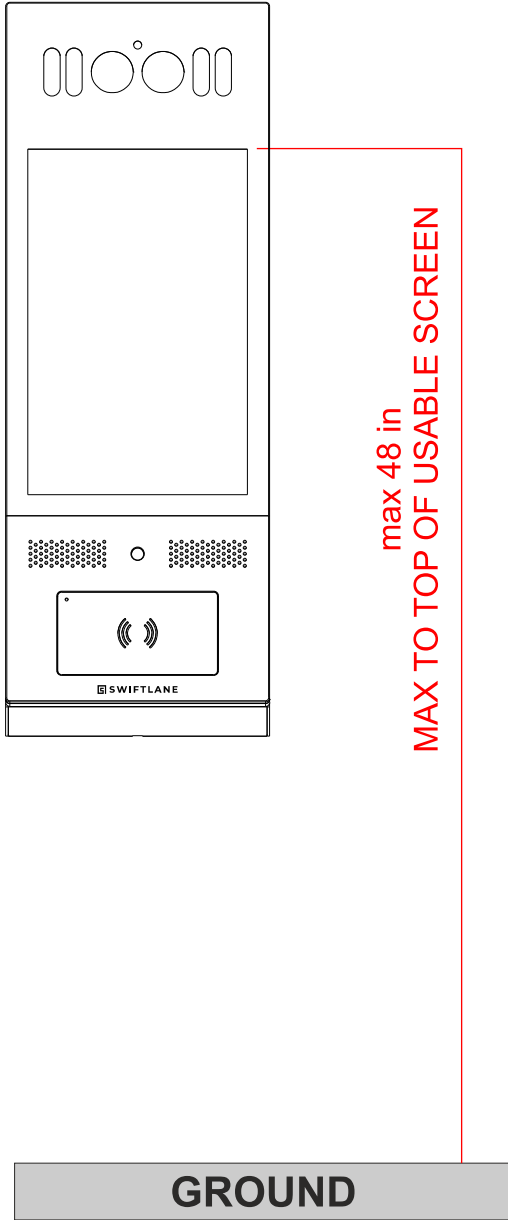
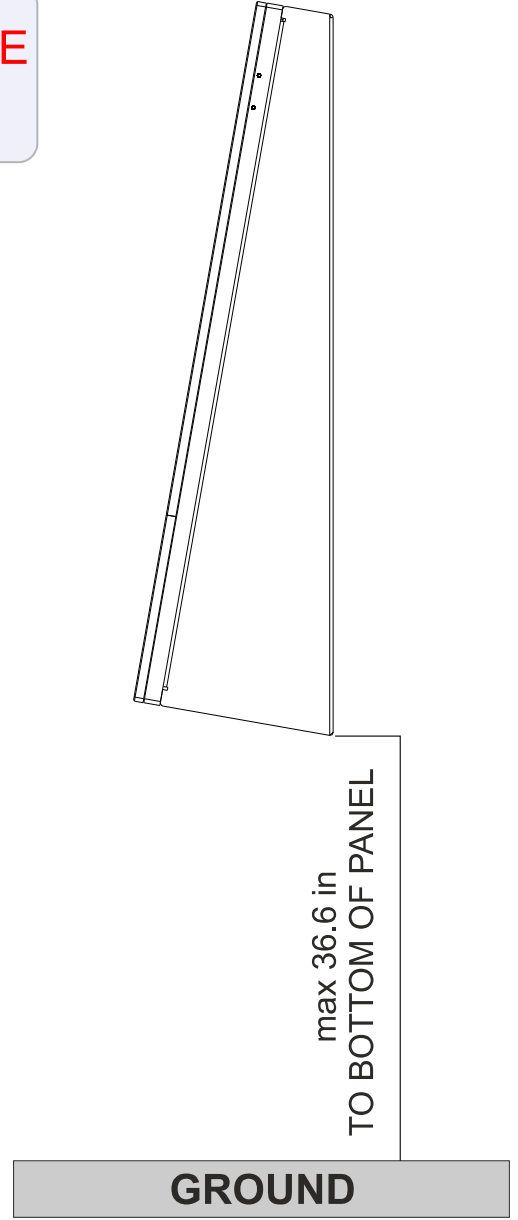


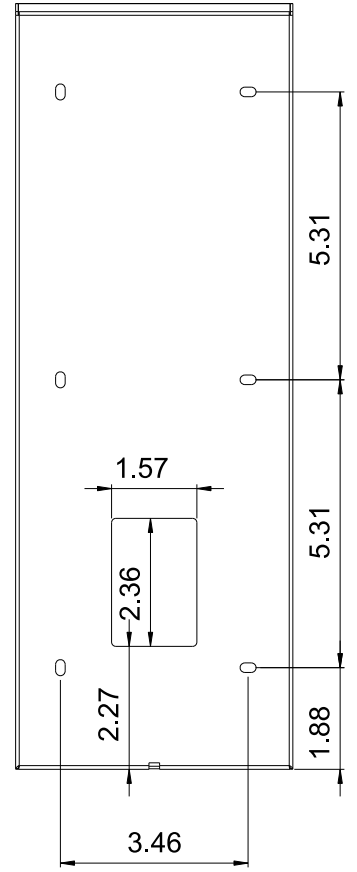
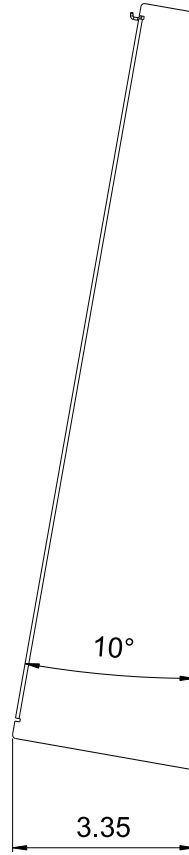
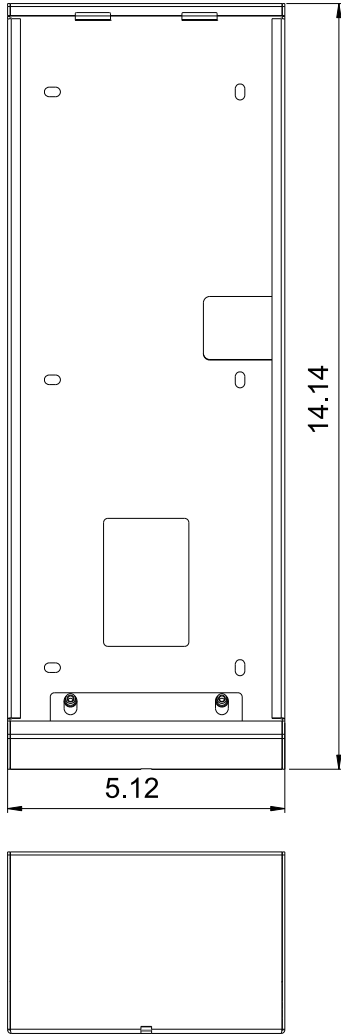
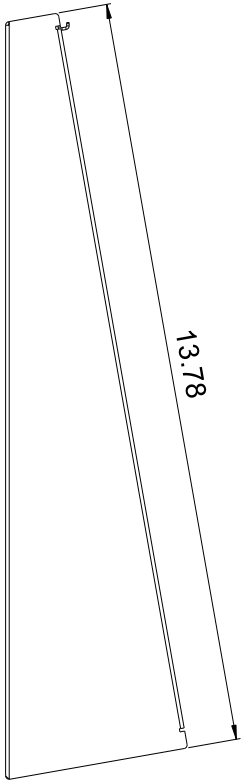
Swiftreader X ADA surface mount - Installation height



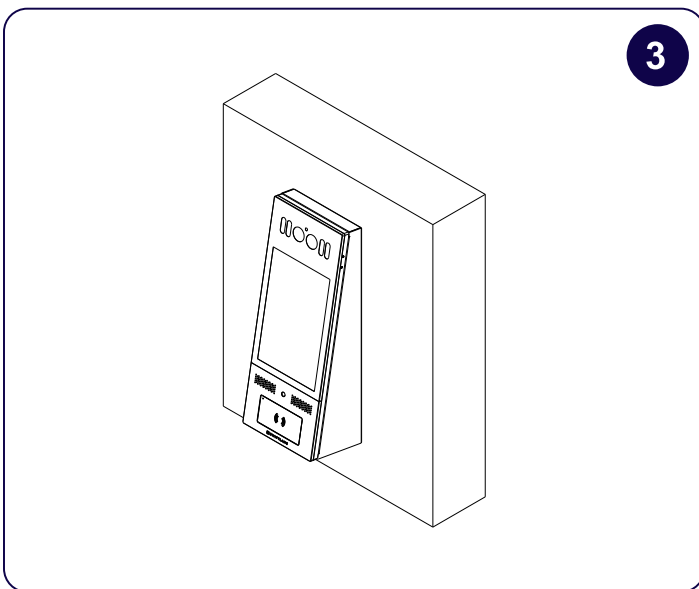
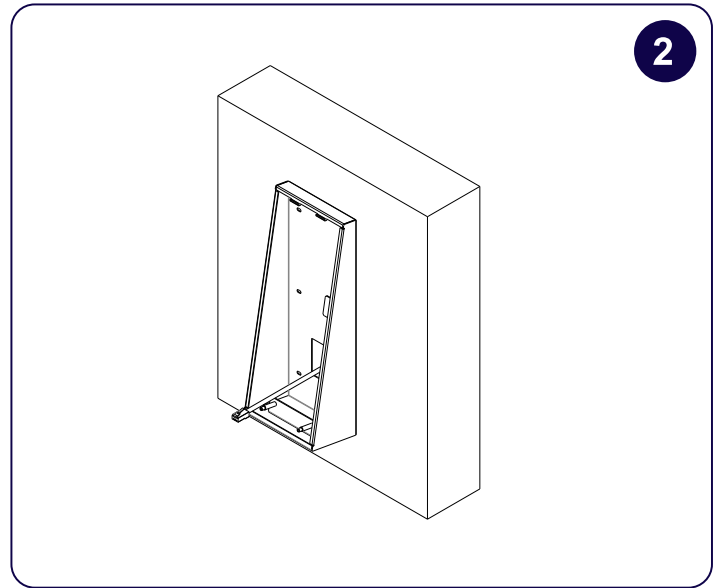
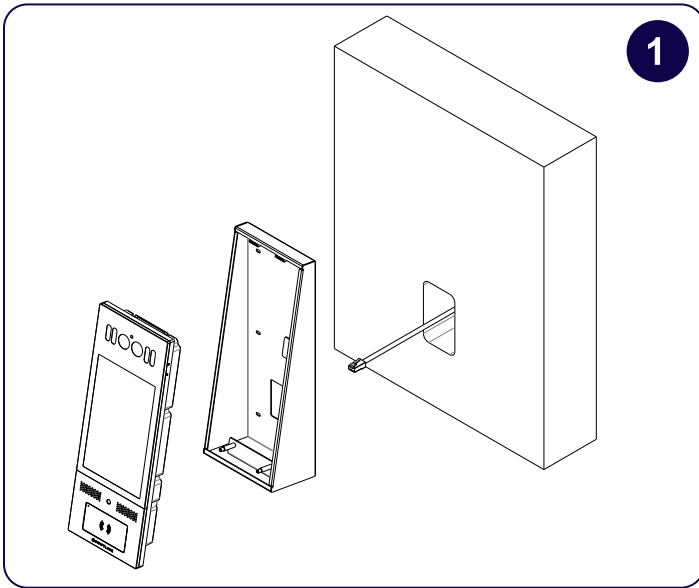
ADA COMPLIANCE
REQUIREMENT



Back cover dimensions (inches)



Installation Steps



1. Exploded view of the components
2. Fix the side ADA back cover to the mounting surface (wall, metal, etc) with anchors, screws etc.
3. Finish the installation as described in the Swiftreader X installation manual: <https://www.swiftlane.com/swiftlane-installation-manual/>

